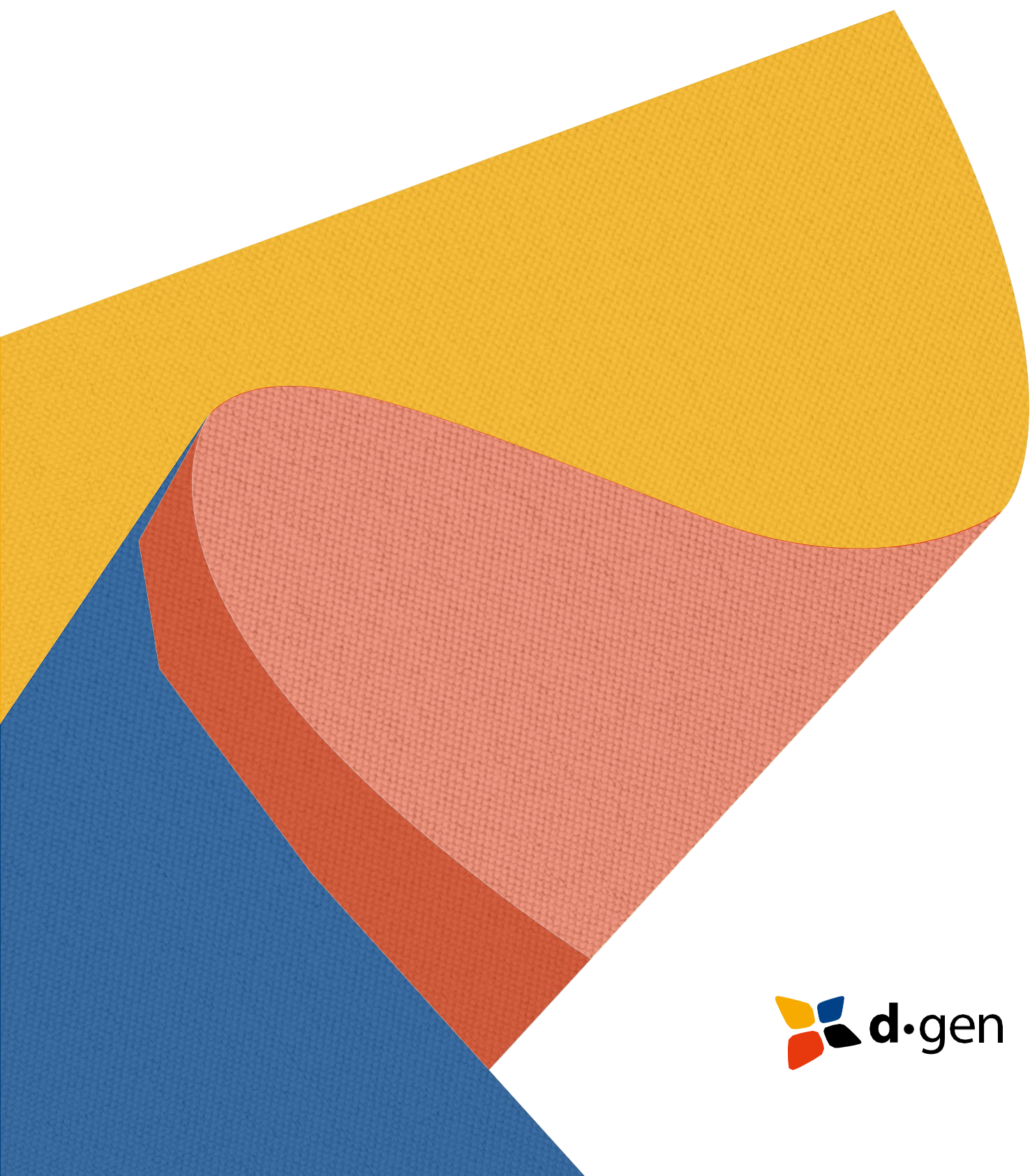


# ARTRIX PRO

Your guide in digital printing exploration



# ARTRIX PRO



**High developed fabric feeding system, equipped with fully automated tensioning and aligning devices**

**Very easy to print elastic fabrics with highest precision thanks to sticky belt system**

**Very powerful dryer suitable for wide varieties of fabrics**

## **Pigment ink for all !**



- Simple process, No washing and No steaming needed
- The color stays even with multiple washings thanks to strong adhesion to the textile fibers
- Suitable with wide range of applications are; Home décor, fashion, accessories and much more
- OEKO-TEX and GOTS certified

Ink model	PGX-5KR
Ink type	Pigment water-based inks
Available colors	Cyan, Magenta, Yellow, Black, Scarlet Red, Blue, Light Cyan and Light Magenta



# Technical Specifications

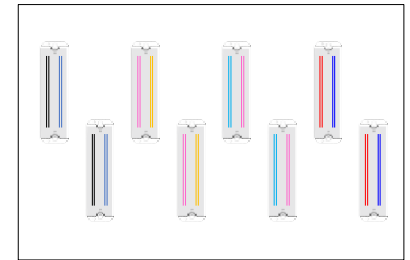
## Printing

Printhead	Ricoh Gen6 native 600 dpi, 5 pl per dot and 8 levels of grey scale, 35Khz speed		
Number of nozzles / printhead	1280 nozzles		
Modular system	M3	M4	M8
Number of printheads	3	4	8
Colors	6	8	8
Speed at 2 pass [m2/h] 600 X 600 dpi	79	76	133
Speed at 3 pass [m2/h] 600 X 900 dpi	55	52	96
Speed at 4 pass [m2/h] 600 X 1200 dpi	41	40	74
Speed at 6 pass [m2/h] 600 X 1800 dpi	28	27	51
Printhead positioning	1 row	1 row	2 rows
<b>Media</b>			
System	sticky belt		
Roll size (printable width) [mm]	1800		
Roll weight [Kg]	100 Kg (rubber band shaft) 40Kg (media flange)		
Roll diameter [mm]	350		
Core diameter feeder [mm] [in]	convertible shaft 50.8 and 76.2 mm (2 and 3 inches)		
Core diameter take-up [mm] [in]	2 shafts, 50.8 and 76.2 mm (2 and 3 inches)		
Thickness [mm]	10 mm approx.		
<b>Fashion and home-decor</b>			
Ink type	Pigment		
Available colors	C, M, Y, K, Or, Bl, Lc, Lm, Sc, Gr		
Media	Cotton, linen, wool, poly, viscose, polycotton and other blended fabrics		
Main applications	Fashion, Home Textile, Accessories		
<b>Connectivity</b>			
Interface	Gigabit Ethernet (1000Base-Tx)		
<b>Footprint</b>			
Full set	4440 x 4253 (700 mm of spacing)		
<b>Total Av. Consumption [kW]</b>			
Printer	3Ø AC 380V 14.9 A (9.8 kW)		
Dryer (6heaters)	3Ø AC 220V 12.0 A (7.8 kW)		
Full set	17.7 kW		

## Modular System

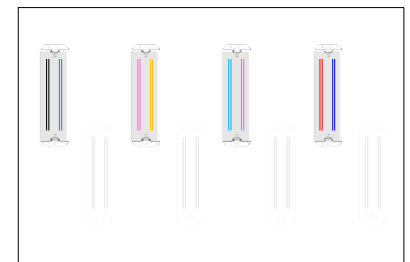
Various options allow customers to optimize initial investment

### M8



8 Heads with 8 color

### M4

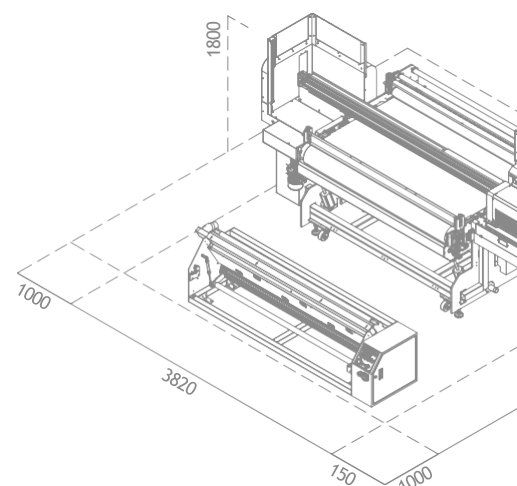


4 Heads with 8 color

### M3



3 Heads with 6 color



\* Speed measured at maximum printing width

# High Productivity and High Definition!

## RICOH Gen6 Print Head

### Productivity



- . Maximum frequency of 50kHz
- . Impressive Flow rate

### Quality



- . 5pl droplet
- . High jetting straightness

### Durability



- . Extremely durable industrial Head

## Powerful In-line Dryer



Extended 6 lines of heating lamps

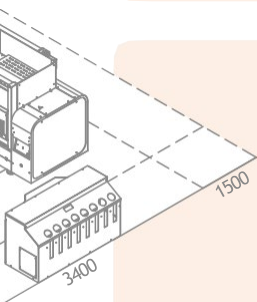


Adjustable dancing-bar pressure thanks to pneumatic piston system



Fume extraction unit

## ARTRIX PRO



# Direct To Fabric easier than ever!!!



## 1 Degassing System

Great head performance, save ink and improved productivity.



## 2 Smart Press Roller

Stable media feeding is possible by setting proper pressure on each media type.



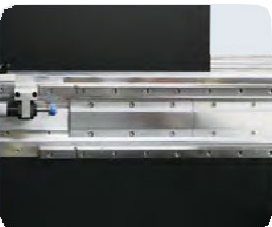
## 3 Easy Access to Washing Unit

Automated washing unit will keep Sticky Belt in the best condition. Wide open space allows easy access to the brush.



## 4 Versatile Media Feeding

Multiple options to load variable types of media thanks to automatic edge detection sensor, pneumatic clutch and much more.



## 5 Metal Optical Encoder & Magnetic Linear Motion

Superb high printing quality thanks to precise metal optical scale and high resolution.



## 6 User Friendly Touch Screen

Operate all functions easily via user friendly touch screen.



**Stylish, Creative & Green Planet**



**Sweden**

Phone +46(0)40-672 84 00  
E-mail: [info@marabu.se](mailto:info@marabu.se)  
[www.marabu.se](http://www.marabu.se)

**Norway**

Phone +47-22 73 50 00  
E-mail: [info@marabu.no](mailto:info@marabu.no)  
[www.marabu.no](http://www.marabu.no)

**Denmark**

Phone +45-70 10 00 67  
E-mail: [info@marabu.dk](mailto:info@marabu.dk)  
[www.marabu.dk](http://www.marabu.dk)

**Finland**

Phone +358-9 279 85 40  
E-mail: [info@marabu.fi](mailto:info@marabu.fi)  
[www.marabu.fi](http://www.marabu.fi)

\* d.gen, Inc. may change the product and/or media specification or accessories without any prior notice and has no liability for printing results in any case, d.gen, Inc. is not applicable for any incidental and/or inevitable damage from using this product.



**d.gen Korea | Main Office**

73, 297beon-gil, Bupyeong-daero, Bupyeong-gu, Incheon, 21315 / Koera

**d.gen Italy Technology Experience Center, TEC | Overseas Branch**

Via Giuseppe Garibaldi, 151, 20833 Giussano MB / Italy